

2

1



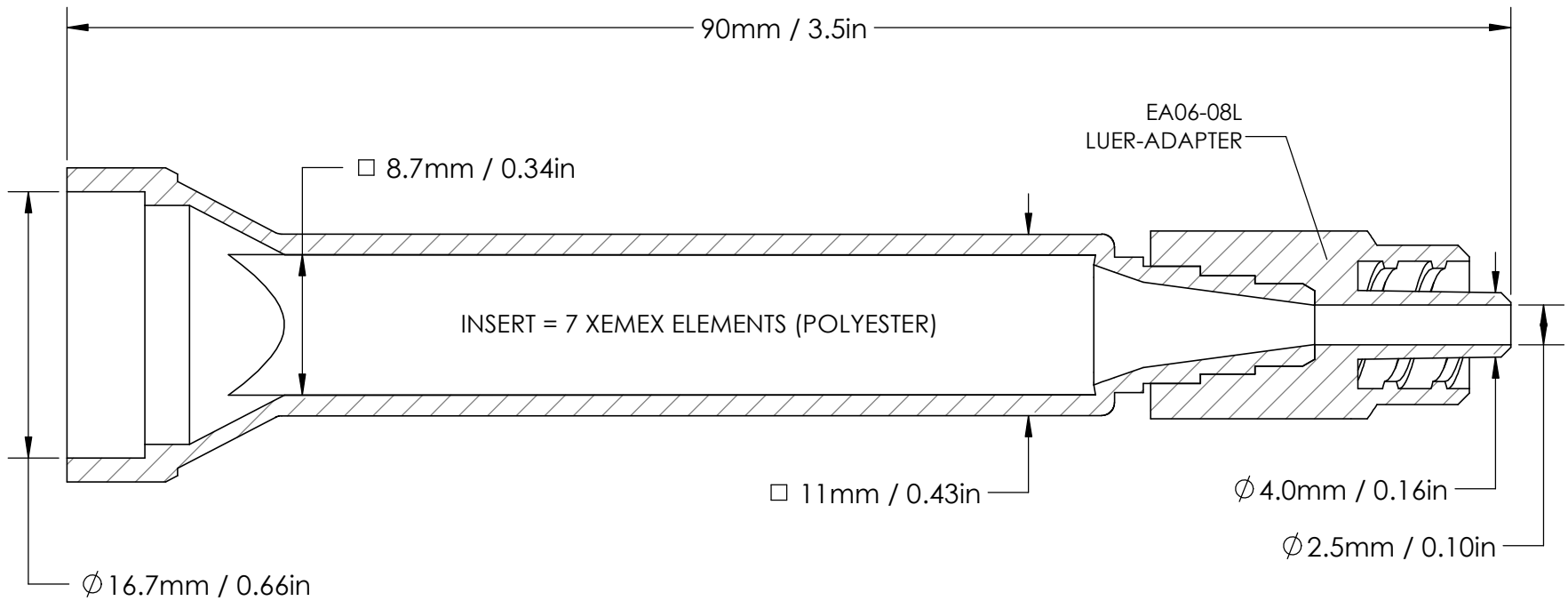
Dimensional Drawing

xemex[®]

X2-B8-7L

B

B



A

A

2

1

PRODUCT XEMEX	SKU X2-B8-7L	Re Mixers, Inc.	
MATERIAL Insert: Polyester (Yellow) Housing: Polypropylene (Clear)		DATE: 7/1/2022	REV: 3.0
		SIZE A	SCALE 5:2 SHEET 1 OF 1

LEGAL NOTICE: THE INFORMATION CONTAINED IN THIS DRAWING IS THE SOLE PROPERTY OF RE MIXERS, INC. ANY REPRODUCTION IN PART OR AS A WHOLE WITHOUT THE WRITTEN PERMISSION OF REMIXERS, INC. IS PROHIBITED.